

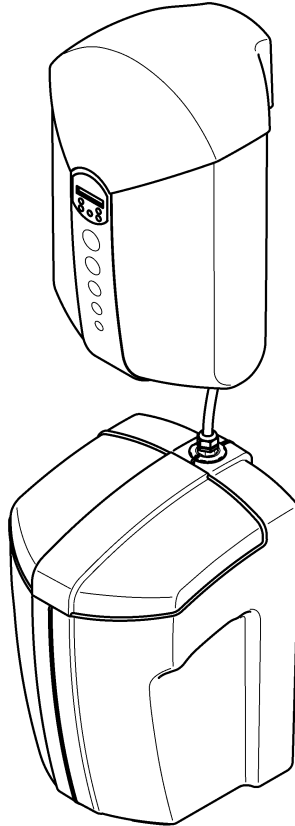
Operating instructions

JUDO QUICKSOFT MEGA

Water softening unit

Valid for: EU countries and Switzerland

Language: English



CE

Read before use and store!

JUDO[®]

Queries, orders, customer service

JUDO Wasseraufbereitung GmbH
Postfach 380
D-71351 Winnenden
e-mail: info@judo.eu
judo.eu

Office address

JUDO Wasseraufbereitung GmbH
Hohreuschstraße 39 - 41
D-71364 Winnenden

Dear customer,

Thank you for the confidence you have shown in us by purchasing this device. In purchasing this water softening system you have procured a state of the art device.

This device is suitable for use in cold drinking water up to a maximum water and ambient temperature of 30 °C.



The remote control of the JUDO QUICKSOFT MEGA via mobile phones and tablets using the connectivity module and the JU Control App requires a stable internet connection at the place of installation of the water softening system.

The JU Control App is available for iOS- and Android.

Every device has been carefully checked prior to supply. Nevertheless, if difficulties occur, please contact your responsible customer service representative (see back page).

Trademarks:

Trademarks used in this document are the protected and registered trademarks of the respective owner.

© JUDO Wasseraufbereitung GmbH
D-71364 Winnenden
All rights reserved.

Reprinting, even in excerpt form, is only permitted with special approval.



EU Declaration of Conformity

Document no. 481/08.22

Manufacturer: JUDO Wasseraufbereitung GmbH

Address: Hohreuschstr. 39 - 41
D-71364 Winnenden

Product description: JUDO QUICKSOFT MEGA Water softening unit

- EU Directive: Restriction of the use of certain hazardous substances in electrical and electronic equipment (RoHS) 2011/65/EU
- EU Directive: Electromagnetic compatibility (EMC) 2014/30/EU
- Harmonized Standards: Electromagnetic compatibility, generic standards for radiated interference and interference immunity EN 61000-6-2
EN 61000-6-3
- Harmonized Standard: Information technology equipment - Safety EN 60950-1

Compliance with the listed guidelines and the EMC requirements for the use of the device in the household, commercial and industrial area as well as the application of the mentioned standards is hereby confirmed.

Issuer: JUDO Wasseraufbereitung GmbH

Place and date: Winnenden, August 4th 2022

Legally binding
signature:

.....
JUDO Wasseraufbereitung GmbH

This declaration certifies that the product is in accordance with all the stated directives; it is however not an assurance of its characteristics.
The manufacturer bears sole responsibility for issuing this EU declaration of conformity.

Contents	
1 About these operating instructions. 5	
1.1 Symbols used 5	
1.2 Safety instructions and dangers due to non-observation..... 6	
1.3 Units used..... 6	
2 Intended use 6	
2.1 Indication of particular dangers ... 7	
3 Product information 8	
3.1 Application 8	
3.2 Materials used 8	
4 Installation 8	
5 Operation 9	
5.1 Control panel 9	
5.2 Menu functions 9	
5.3 Operating mode..... 10	
5.4 Menu structure..... 13	
5.5 Function description 14	
5.6 Filling with salt 15	
5.7 Potential-free fault indication 16	
5.8 Integration of the water softening system in building control systems 16	
5.9 Connectivity module (accessories) 16	
5.10 Conversions / changes / spare parts..... 17	
5.11 Service/repair 17	
5.12 Interruption of operation 17	
5.13 Resetting to factory setting 17	
5.14 Overview of display messages .. 18	
6 Fault..... 18	
7 Maintenance..... 18	
7.1 Cleaning 18	
8 Warranty and service 19	
8.1 Inspection by the operator every two months (visual inspection) .. 19	
8.2 Six-monthly maintenance by the operator 19	
8.3 Annual maintenance by customer service 19	
9 Data sheet 20	
9.1 Type 20	
9.2 Technical data 20	
9.3 Scope of supply 21	
10 Spare parts..... 23	
11 Disposal 24	
12 Customer service 28	

1 About these operating instructions

These operating instructions must always be available at the place of use of the water softening system.

These operating instructions should simplify getting to know your water softening system and inform you of its intended applications.

The operating instructions contain important information so that you can use the water softening system safely, professionally and economically. They contain basic information that must be observed during installation, operation and maintenance. Observance of this information will help to avoid dangers, reduce repair costs and increase the reliability and service life of the water softening system.

The operating instructions must be read by each person charged with working on the water softening system, e.g. for:

- **Installation**
- **Operation**
- **Maintenance**
(service, inspection, repair)

Installation and maintenance must only be performed by personnel who have been authorised by the manufacturer to do so, i.e. who are able to fulfil the instructions referred to in the installation and operating instructions as well as country-specific regulations.






Alongside the operating instructions and the legal regulations applicable in the country and place of use in respect of accident prevention, the recognised technical regulations for safe and professional work must be observed.

Therefore, these operating instructions must be read by the installer and the responsible technical personnel/operators prior to installation, commissioning and maintenance.

Not only must the general safety instructions listed in chapter „Intended use“ be observed, but also the specific safety instructions that are included under the other main points.

1.1 Symbols used

The safety instructions contained in these operating instructions are labelled with the following symbols:

-  **ATTENTION**  Indication of existing dangers
-  Warning of electric voltage
-  Torques specified by the manufacturer
-  User tips and other information

Instructions attached directly to the rotary flange fitting or the water softening system, such as:

- Direction of flow (see fig. 1)
- Type label
- Cleaning information

must be observed without fail and maintained so that they are always legible.

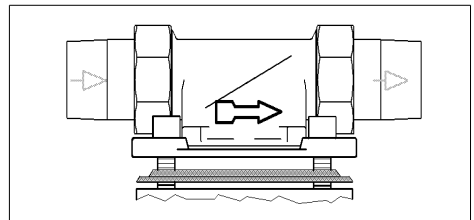


Fig. 1: Rotary flange fitting

1.2 Safety instructions and dangers due to non-observation

In particular, non-observation of the general danger symbols is associated with the following typical hazards:

- Failure of important water softening system functions.
- Endangering of persons due to electrical and mechanical effects.
- Endangering of persons and the environment due to leaks.

Any working methods that might endanger safety must be avoided.

Non-observation of these operating instructions and the safety instructions herein may endanger persons, as well as the environment and the device itself.

1.3 Units used

The following units which do not form part of the SI (Système International d'Unités) system are used:

Quantity	Unit	Conversion
Nominal diameter	1"	Corresponds to DN 25
Pressure	bar	1 bar = 100000 Pa = 0.1 N/mm ² ≈ 14.5 psi
Water hardness	°e	1 °e = 0.142 mmol/l Alkaline earth ions (hardness producing ions) = 14.2 ppm CaCO ₃

2 Intended use

Both installation and use of the water softening system are subject to the applicable national regulations.

Alongside the operating instructions, the legal regulations applicable in the country and place of use in respect of accident prevention, the recognised technical regulations for safe and professional work must be observed.

The water to be softened must comply with the European Drinking Water Directive!

The manufacturer/supplier must be consulted before using water of a different quality or water with additional additives!

The water softening system is suitable for use in cold drinking water up to a maximum ambient temperature of 30 °C.

It is manufactured according to the state of the art and recognised German safety regulations.

The water softening system may only be used as described in the operating instructions. Any other use or use beyond the specified use is considered to represent incorrect use.

Additional dangers exist in the event of incorrect use and in the event of non-observation of the danger symbols and safety instructions. The manufacturer/supplier shall not be responsible for any resulting damage. All risks are borne solely by the user.

Intended use includes observance of the operating instructions.

The manufacturer/supplier must be consulted before using the water softening system outside the limits of use described in these operating instructions.

The water softening system must only be used as intended in a technically fault-free state, while maintaining safety and hazard awareness, and in compliance with the operating instructions.

Ensure that malfunctions are rectified immediately!

The spent regenerating salt is removed from the water softening columns together with waste water. Therefore it must not be used for irrigation or similar purposes.

The designed capacity of the water softening system is such that it is capable of partially softening the entire water requirement for a single or multiple family house as well as corresponding partial water quantities for hot water, swimming pool, washing machine and dishwasher.

2.1 Indication of particular dangers

2.1.1 Electrical devices/installations



No electrical cables and equipment may be located below or in the immediate vicinity of the water softening system!

Electrical devices/installations that are not splash-proof and are located in the vicinity of the water softening system may be damaged by water that escapes during regeneration or in the event of incorrect use of the water softening system. If the electrical devices/installations are connected to the power supply, it is also possible that a short-circuit could occur. Should this occur there is a risk of electric shocks to people. Therefore electrical devices/furnishings and equipment in the vicinity must be splashproof and/or comply with the legal regulations for wet areas.



In the power supply unit the mains voltage is reduced to a safe low voltage of 24 V which is then used to operate the system electronics. No other power supply units must be used.

Caution when touching without the cover! During operation, electronic components can become hot. Also there is a danger due to moving parts.

Potential-free output



Only low voltages can be used for the remote transmission of the fault indication via the potential-free output!

Switching voltage..... maximum 24 V
Current maximum 1 A

(see chapter 5.7 "Potential-free fault indication")

3 Product information

4 Installation

3.1 Application

The water softening system is suitable for use with cold drinking water having a maximum water temperature of up to 30 °C.



(see chapter 1.2 “Safety instructions and dangers due to non-observation”)

Usage limitations see chapter 2 “Intended use”.

This water softening system is for protection of water pipes and the water heater against limescale deposits.

With partially softened water, devices and fittings are preserved and the consumption of washing and cleaning agents reduced.



Limescale deposits block the water supply and therefore can result in increased energy consumption.

3.2 Materials used

The materials used are resistant to the physical, chemical and corrosive loads expected to be encountered in drinking water and fulfil the specifications required by DIN EN 14743 and DIN 19636-100 (“Water softening systems (cation exchangers) in drinking water installations”). All materials are hygienically and physiologically harmless. Plastics fulfil the KTW Guideline (Guideline for the Hygienic Assessment of Organic Materials in Contact with Drinking water) of the German Federal Environmental Agency (UBA). Metallic materials fulfil the requirements of DIN 50930-6 (Effect of metallic materials on the quality of drinking water).

All information required for installation is contained in the installation instructions 1703525 for the QUICKSOFT MEGA 6 water softening unit.

5 Operation

5.1 Control panel

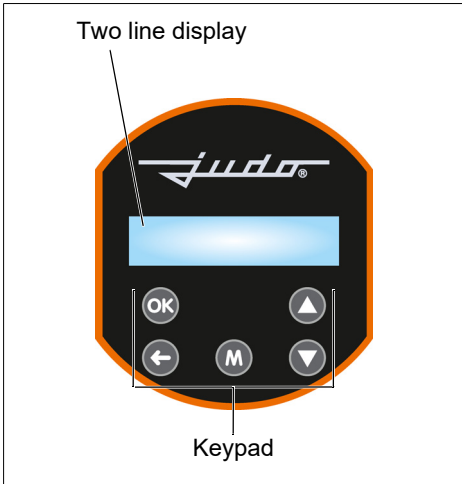


Fig. 2: Water softening system control panel

Operation of the water softening system takes place via the keypad and display (see fig. 2).

Key functions:

M Access to the main menu (see chapter 5.2 “Menu functions”)

▲ - Scroll up in the menu
- Increase value

▼ - Scroll down in the menu
- Reduce value

← One menu level back without saving

OK - Access to the sub-menu
- Accept value and save and one menu level back
- Acknowledge message

Display background lighting:

- None: normal operation
- Alternating light blue/dark blue: With a water flow

- White: when pressing a key
- Yellow: for warning messages
- Red: for fault indications

5.2 Menu functions

Pressing the key **M** calls the main menu:

Main menu

• Raw hardness

The next or previous sub-menu is displayed using keys **▲** and **▼** and called using the **OK** key.

In the sub-menu individual values are increased or decreased using keys **▲** and **▼** and then accepted using the **OK** key.

Sub-menus:

Raw water hardness

- Raw water hardness setting (see chapter 5.3.3 “Setting the raw water hardness”)

Regeneration

- manual regeneration start (see chapter 5.3.2 “Manually starting regeneration of the water softening system manual”)

Settings

- Language:
DE, EN, FR, NL, IT
- Water hardness unit:
°dH, °e, °f, gpg, ppm, mmol/l, mval/l
- Lighting, contrast, tone
- Functioning of the fault indication relay (see chapter 5.7 “Potential-free fault indication”)
- Factory setting (see chapter 5.13 “Resetting to factory setting”)

Operating data

- Total soft water volume since commissioning [m³]
- Total number of regenerations since commissioning
- Total number of services since commissioning

Info

Various information is displayed here such as device type, device number, customer service telephone number, history of the warning messages and fault indications, software version, hardware version and the date for the next necessary service.

5.3 Operating mode

(see fig. 8)

- Fill approximately 5 litres of water into the salt reservoir (4), until just above the intermediate bottom.
- Fill 25 - 50 kg of regenerating salt into the salt reservoir.

The regenerating salt must as a minimum comply with the requirements of DIN EN 973 and be of food-grade.

Our recommendation: Broxo or Solvay salt, either as blocks, tablets or coarse grains 7 - 15 mm. If other regenerating salts are used, then the salt reservoir must be cleaned at shorter intervals and the intake strainer replaced more frequently.

- Remove the cover.
- Enter the date of installation on the label (see fig. 3).
- Open the water supply (stopcock or shut-off valve).
- Ensure that the bypass valve (if installed) is set to "Operate".

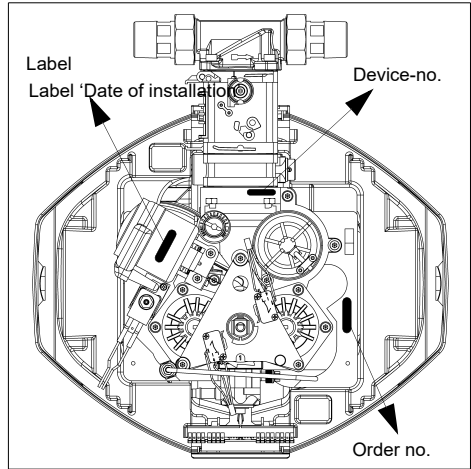


Fig. 3: Device and order no. plus Label 'Date of installation'



For safety reasons, the water softening system must be **immediately flushed and regenerated for venting**.

See chapters 5.3.1 and 5.3.2 for this purpose!

5.3.1 Flushing the water softening system

- To do so open a tap (as close as possible to the water softening system) and create a volume flow of about 500 l/h.
- After a minute's flushing (both resin containers are vented), plug the power supply unit into the socket.

After connection to the power supply, the electronics automatically perform a self-test.

Status display:

After a successful conclusion, the following text is output to the display:



Fig. 4: Status display

5.3.2 Manually starting regeneration of the water softening system manual

To do so, the water softening system must be in an operating situation. The status display is output to the display (see fig. 4).

Press key **M** 1x and then key **▼** 1x. The display indicates the following:

Main menu
• **Regeneration**

Press the <OK> key. The display indicates the following:

Regeneration start

Pressing <OK> starts regeneration.

Then 'Regeneration' is output to the display.

Regeneration is completed after about 15 minutes. The status display is output again (see fig. 4).

The water softening system is now ready for operation.

The following parameters must then be set:

- Raw water hardness (see chapter 5.3.3 "Setting the raw water hardness")
- Mixing (see chapter 5.3.4 "Adjusting the mixing")

5.3.3 Setting the raw water hardness

The value depends on the installation location. It can either be requested from the water supply company or determined using a suitable measuring instrument (in the scope of supply). If the raw water hardness fluctuates, the higher value should be set. The same quantity of brine is always used for regeneration. If the raw water hardness is high, a reduced water volume is treated. If the raw water hardness is low, a greater water volume is treated.

The water softening system is pre-set to a raw water hardness of 25 °e. Another raw water hardness is set as follows:

Press key **M**. The display indicates the following:

Main menu
• **Raw hardness**

Press the <OK> key. The display indicates the following:

Setting
Raw hardness

Press the <OK> key. The display indicates the following:

Raw hardness
25 °e

Use the **▼** key to reduce the raw water hardness and the **▲** key to increase the hardness. The step size is 1 °e.

The set raw water hardness value is saved by pressing <OK>.

5.3.4 Adjusting the mixing

In the factory the set screw of the mixing valve is set to slightly open (see fig. 5). First a check must be performed to determine what mixing water hardness exists with this setting. The water hardness measurement is performed with a measuring instrument (in the scope of supply).

The sample water for measuring and setting the water hardness can be drawn at the bypass valve or from a water tap connection downstream of the water softening system.

It must be ensured that the set mixing water hardness in the water softening system reaches the drawing point. For a correct measuring value comparison, the samples should be taken with a normal water flow

(one tap fully open). During drawing, no large volume of water should be drawn at another point.

If the desired mixing water hardness is not achieved, then it can be corrected by turning the set screw of the mixing valve within the marked adjustment range by no more than one half turn. A value of about 10 °e is recommended.

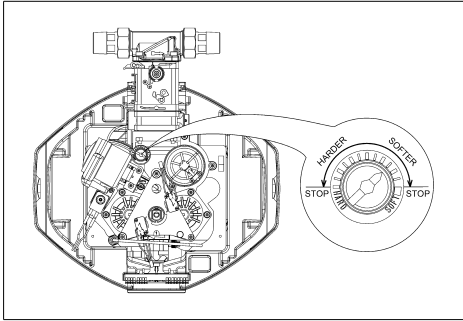


Fig. 5: Adjusting the mixing

If necessary, the setting must be changed and re-measured a number of times until the desired value is achieved.

After the softening, the sodium concentration in the mixing water increases, dependent on the raw water hardness and the set mixing water hardness.

According to current drinking water legislation, the limit value for sodium in drinking water is 200 mg/l. Mineral and table water are not affected by this. Their limit values are much higher, partially greater than 1000 mg sodium per litre.

Calculation of the sodium content

°e	Raw water hardness (ask the water supply company or measure with hardness measuring instrument)
- °e	Residual hardness (measured value)
= °e	Difference in water hardness
x	6.4 mg Na ⁺ /l x °e Sodium ions exchange value
=	mg/l Increase of the sodium content by softening
+	mg/l sodium already present in the raw water (ask the water supply company)
=	mg/l Total sodium content in the mixing water

Example calculation of the sodium content

25 °e	Raw water hardness
- 10 °e	Residual hardness
= 15 °e	Difference in water hardness
x 6.4	
= 96 mg/l	Due to softening:
+ 10 mg/l	From the water supply company
= 106 mg/l	In total

If the calculated total sodium content exceeds the value permitted by the drinking water legislation of 200 mg/l, then it can be corrected by increasing the mixing water hardness.

The calculation of the sodium content must then be repeated.

5.4 Menu structure

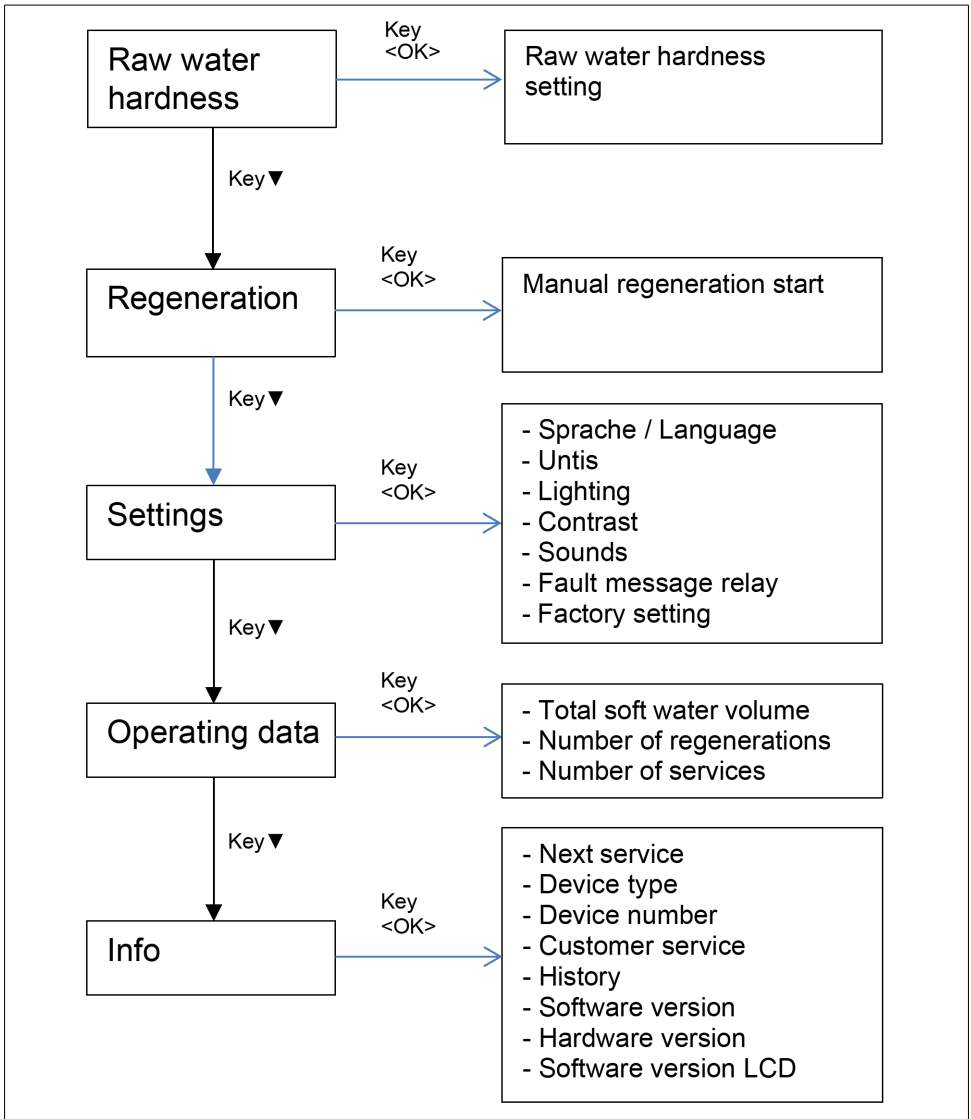


Fig. 6: Menu structure

5.5 Function description

5.5.1 Method of operation

The filter containers are filled with ion-exchange resin. This comprises small plastic resin balls on which the calcium ions, which make the water 'hard', are exchanged for sodium ions. Consequently the water becomes soft. In the control head an adjustable quantity of not-softened raw water is admixed to obtain the desired mixing water hardness downstream of the system. However the ion-exchange resin only absorbs a limited quantity of these hardness components. Dependent on the water hardness and the treated water volume, sooner or later it is exhausted. The time at which it becomes exhausted is measured with the water meter and regeneration automatically triggered. To do so, diluted brine (sodium chloride) is used to remove the hardness components from the resin.

5.5.2 System design

The water softening system is designed as a parallel system that is regenerated in two stages. During regeneration, the two resin containers are alternately responsible for soft water provision. In this way soft water is always available for the consumer, even during regeneration.

5.5.3 Regeneration

With a very short regeneration period of about 7.5 minutes per resin container (total: 15 minutes) high volume continuous drawing is possible.

The soft water volume is precisely measured using a water meter in the system's soft water pipe and in this way triggering of regeneration is controlled. Regeneration is performed according to DIN EN 14743 and DIN 19636-100 using miser salting. Disinfection of the system takes place at regular intervals to prevent microbe contamination. The small quantity of chlorine required for this is created electrolytically during regeneration from the absorbed brine.

5.5.4 Control of regeneration

Regeneration is performed automatically via wear-free ceramic disc valves. The regeneration sequence is fixed by the geometry of the discs and therefore need not be re-entered after a power failure.

5.5.5 Overflow valve

If because of very high drawing of water (e.g. pressure washer) the pressure loss in the water softening system is greater than 1.0 bar, then an overflow valve integrated in the control head opens so that hard water can bypass the system to limit the pressure loss. This means that the residual hardness temporarily increases in the pipe downstream of the water softening system.

5.6 Filling with salt

The water softening system works automatically. Approximately 180 g of salt is needed for each regeneration. The regenerating salt must be replenished at regular intervals.

Our recommendation: Broxo or Solvay salt, either as blocks, tablets or coarse grains 7 - 15 mm. If other regenerating salts are used, then the salt reservoir must be cleaned at shorter intervals and the intake strainer replaced more frequently.

The stock of salt should not decrease so far that the liquid level is above the regenerating salt, as otherwise when replenishing the salt, it rises excessively.

The regenerating salt is normally replenished in sacks of 25 kg. This salt quantity is sufficient for at least 120 regenerations.

5.6.1 Message upon low salt level

The salt concentration of the brine reservoir is automatically regularly checked. If the salt reservoir is not filled up early enough and consequently the brine concentration decreases too much, a message is output to the display:

Attention! **Salt deficit**

After this message, replenishment with a quantity of 25 kg of regenerating salt is required. Then the <OK> key must be briefly pressed. The warning message is then reset.



This message can also appear if the salting process is not performed correctly during regeneration, e.g. if the waste water hose is routed at a too-high level, if the mains water pressure is too low or if the suction hose connection to the salt/brine tank is not made correctly.

If the salt is only replenished once the salt stock is completely used up, the brine level may temporarily increase. The suction process then lasts correspondingly longer.

If there is no longer any regenerating salt available or if the regenerating salt is not replenished early enough, the water softening system switches to miser operation.

The remaining salt stock is then primarily used for disinfection of the ion-exchange resin and the softening effect is reduced.

In this way, the water softening system remains in a hygienic condition for weeks after the low regenerating salt state first occurs.

5.7 Potential-free fault indication

A general error message can be forwarded by the potential-free relay in the following cases:

- In the event of a water softening system fault indication
- If there is a power loss
- If a low salt condition exists



Prior to electrical installation, pull the power supply unit out of the socket!

Chapter 2.1 „Indication of particular dangers“ must be observed without fail!

Adhere to the maximum switching current and maximum voltage (see chapter 2.1.1 “Electrical devices/installations”)!

The contacts of the potential-free relay are shown in the zero-current state in fig. 7.

Setting the switching function:

Press key **M** 1x and then key **▼** 2x. The display indicates the following:

Main menu

- **Settings**

Press key **<OK>** 1x and then key **▼** as often as necessary, until the display indicates the following:

Setting

- **Fault relay**

Press the **<OK>** key. The display indicates the following:

Fault relay

Normally open

Press key **▲** or **▼** to change between **<Normally open>** and **<Normally closed>**.

The chosen setting is saved by pressing **<OK>**.



The fault signalling cable is not part of the scope of supply.

5.8 Integration of the water softening system in building control systems

The water softening system can be integrated via the potential-free relay into a building control system (e.g. EIB, LCN or LON).

For example, the potential-free relay is connected to a binary bus coupler. This allows a fault indication to be forwarded to the building control system.

5.9 Connectivity module (accessories)

A retrofittable connectivity module is used to connect the water softening system via a LAN connection to the home network and the Internet.

Using the available iOS/Android app, worldwide access to comprehensive information, automated messages and functions of the water softening system is possible.

5.10 Conversions / changes / spare parts

Only original spare parts may be used!

Unauthorised conversions and changes are forbidden for safety reasons! These could impair the function of the water softening system. The imprinted approval marks are only valid if original spare parts are used.

5.11 Service/repair



Before performing work on the water softening system that goes beyond pure operational use, the water softening system must be depressurised!

If this is ignored, the result may be uncontrolled egress of water resulting in water damage to the building/home. Therefore the instructions given in chapter 4 "Installation" and chapter 7 "Maintenance" must be strictly observed.

5.12 Interruption of operation

The water supply to the water softening system is interrupted. The main stopcock is closed or the bypass valve is switched over.



Pull the power supply unit out of the socket! (If present, also pull out the power supply unit of the downstream dosing pump!)

- When disassembled, the water softening system must be stored in a dry and frost-free location.
- The connection flange must be protected against dirt and damage.
- Once the water softening system is fitted and started again, it must be flushed and regenerated (see chapter 5.3 "Operating mode").

5.13 Resetting to factory setting

All customer settings can be reset to the factory setting in the following way:

Press key **M** 1x and then key **▼** 2x. The display indicates the following:

Main menu

- **Settings**

Press key <OK> 1x and then key **▼** as often as necessary, until the display indicates the following:

Setting

- **Factory setting**

Press the <OK> key. The display indicates the following:

Factory setting

<no>

Press key **▲** or **▼** to change between <yes> and <no>.

The following default values are recreated by pressing key <OK> with <yes> selected.

- Raw water hardness 25 °e
- Fault indication relay: NOC function
- Lighting 80 %, contrast 50 %

5.14 Overview of display messages

Indication	Description	Further info
Regeneration	Message is displayed during regeneration of the resin container.	see chapter 5.5.3 "Regeneration"
Maintenance/Service req.	Message appears after the one-year service interval has elapsed.	see chapter 8.3.1 "Message "Maintenance/Service""
Attention! Salt deficit	Message appears after exceeding of the minimum chlorine flow.	see chapter 5.6.1 "Message upon low salt level"

6 Fault

Opening of devices and replacement of parts subject to water pressure must only be performed by licensed persons to ensure device safety and leak-tightness.

Indication on the display	Cause	Remedy
Attention! Error Reg. drive	Regeneration drive defective.	Notify customer service! Unplug the power supply unit! If fitted, switch the bypass valve to bypass!
Attention! Error Salification	Salting process defective, container overfilled or leak.	Check the brine level in the salt reservoir! Reset fault indication! If the fault occurs again, notify customer service!
Attention! Error Lso-electrode	Level electrode defective.	Reset fault indication! If the fault occurs again, notify customer service!
Attention! Error Keypad	Keypad defective.	Reset fault indication! If the fault occurs again, notify customer service!

Deleting the fault indication:

- Press <OK> key.

or

- Pull the power supply unit out of the socket and plug back in after about 5 s.



When communicating with customer service, please always have the device number and order number available (see fig. 3).

7 Maintenance

7.1 Cleaning

Only use clear drinking water to clean the housing.

Standard all purpose cleaners and glass cleaners can contain up to 25 % solvent or alcohol (methylated spirits).

These substances can chemically attack the plastic parts resulting in embrittlement and even breakage.

Therefore do not use these types of cleaner!

8 Warranty and service

To ensure the process operates successfully for many years after first use, regular inspection and routine servicing of the system are essential. Where home automation is concerned, this is governed by DIN EN 806-5.

We recommend that you agree a service contract.

A service contract is the best way of ensuring correct operation even after the warranty period has elapsed.

It is desirable that the regular maintenance work and the supply of consumables, mineral solutions, salt or wear parts, etc. is performed by the JUDO factory customer service team or by an approved technical service provider.

8.1 Inspection by the operator every two months (visual inspection)

To retain your legal warranty rights, it is necessary that an inspection be performed at least every two months.

The operator checks:

- The salt filling level.
- The leak-tightness of the softening system (escaping water).
- For damage to the water softener. Defective parts must be replaced by customer service.
- Messages on the display.

Dependent on the consumed water volume, the corresponding salt consumption must be regularly monitored. If necessary, replenish the regenerating salt (only use quality according to DIN EN 973). When replenishing the salt take appropriate hygiene measures. Thus, for example, the salt packs should be cleaned before use so that no impurities can get into the salt dissolving container. The regenerating salt must be shaken into the salt dissolving container directly after undoing the packaging. In doing so, ensure that the

salt dissolving container is not overfilled and that after completing the work, it is again carefully closed and sealed. Do not use partial packs. The salt must only be stored in clean and dry rooms.

8.2 Six-monthly maintenance by the operator

In addition to the checks of the 2-month inspection, the operator must also check the following every six months:

- Leak-tightness of the softener to waste water connection.
No water must flow out of the waste water hose (see fig. 8) in the operating position.
- Salt deposits inside the water trap.
Deposits or incrustations inside the water trap must be removed so that the waste water does not get blocked.
- Soft water hardness.
Checking is performed with a hardness measuring instrument (in the scope of supply).

8.3 Annual maintenance by customer service

Once yearly, a service must be performed by a licensed technical service provider or the JUDO factory customer service team.

8.3.1 Message “Maintenance/Service”

After an operating period of one year, the water softening system signals the required service. The following message is output to the display:

**Maintenance/
Service req.**

After performing the maintenance, the message is reset by pressing the <OK> key for at least 5 s.

9 Data sheet

9.1 Type

JUDO QUICKSOFT MEGA
Water softening system

9.2 Technical data

- Maximum ambient temperature and water temperature: 30 °C
- **The water to be softened must comply with the European Drinking Water Directive!**

Operating pressure	Rated pressure
2 - 7 bar	PN 10

The rated pressure refers to the pressure range that the water softening system meets. The maximum operating pressure is lower to ensure the optimum function of the water softening system.

Pipe connection	1"
Nominal flow rate as per DIN EN 14743 at 1 bar pressure loss	1.8 m ³ /h
Nominal capacity	0.9 mol
Salt supply tank content	50 kg
Volume of the exchanger resin	5 l
Water consumption per regeneration	25 l
Electrical connection	230 V/ 50 Hz
Power consumption: Operation Regeneration	1 W max. 15 W
Max. raw water hardness	125 °e

Further information can be found in the installation instructions 1703525 for the QUICKSOFT MEGA 6 water softening unit.

9.3 Scope of supply

- Water softening system
- Salt reservoir
- Safety overflow hose and waste water hose
- Operating instructions

9.3.1 Protective measures to prevent corrosion

For water with water hardness 0 °e, plastic pipes or corrosion-resistant pipes should be laid.

For water with partial softening (about 10 °e), galvanised pipes and copper pipes can be laid.

Our recommendation:

Installation of a JUDO JULIA dosing pump in the mixing water pipe downstream of the water softening system, so that the water can be admixed proportionally with a JUL mineral solution.

The JUL mineral solutions contain substance components that stabilise the remaining carbonate hardening components and create the conditions for formation of a homogeneous protective layer in the downstream pipe system. These substance components correspond in the prescribed type, quality and quantity to section 11 of the current German Drinking Water Act ('Treatment substances and disinfection processes').

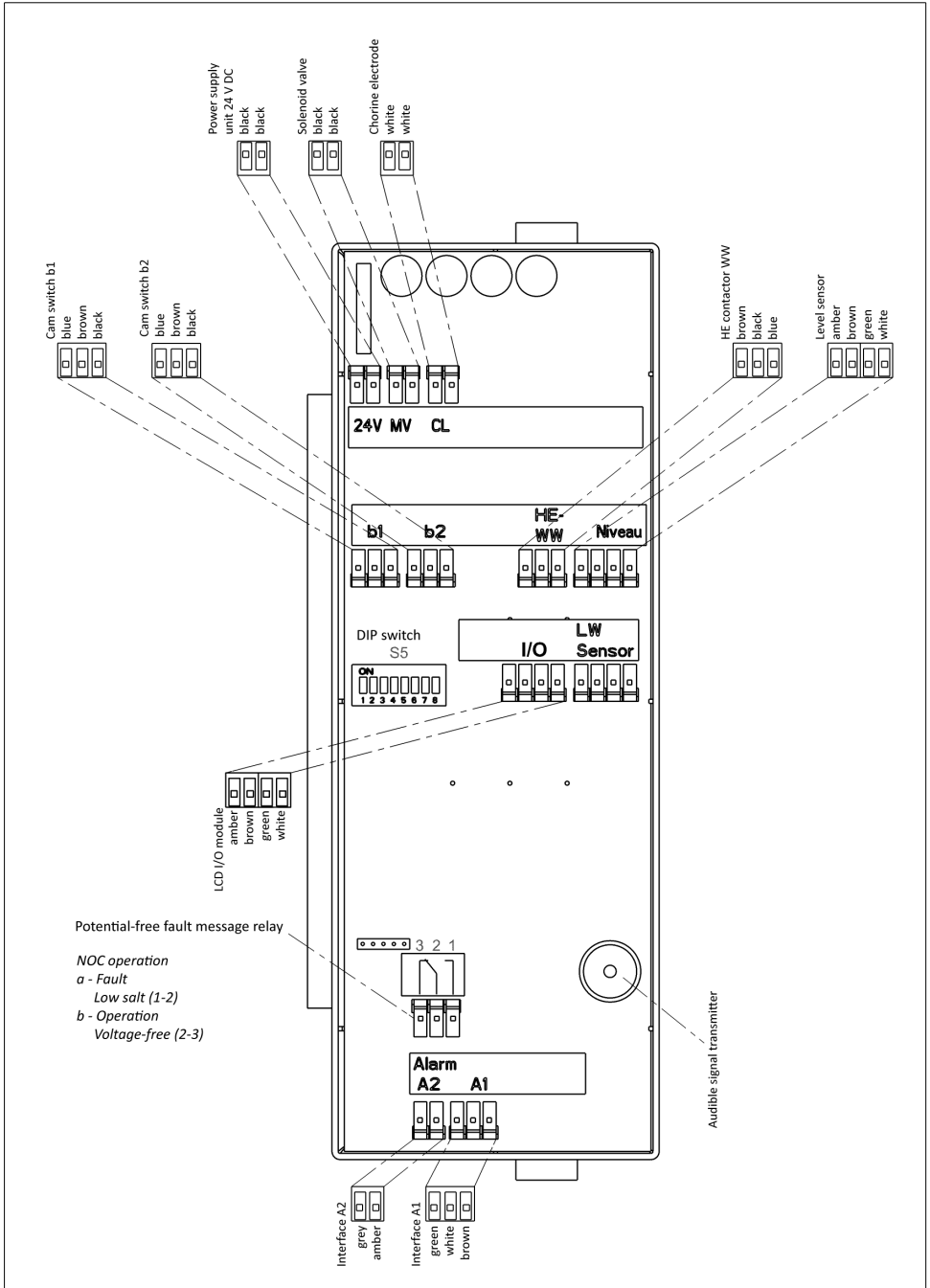


Fig. 7: Electronic control unit with fault message relay

10 Spare parts

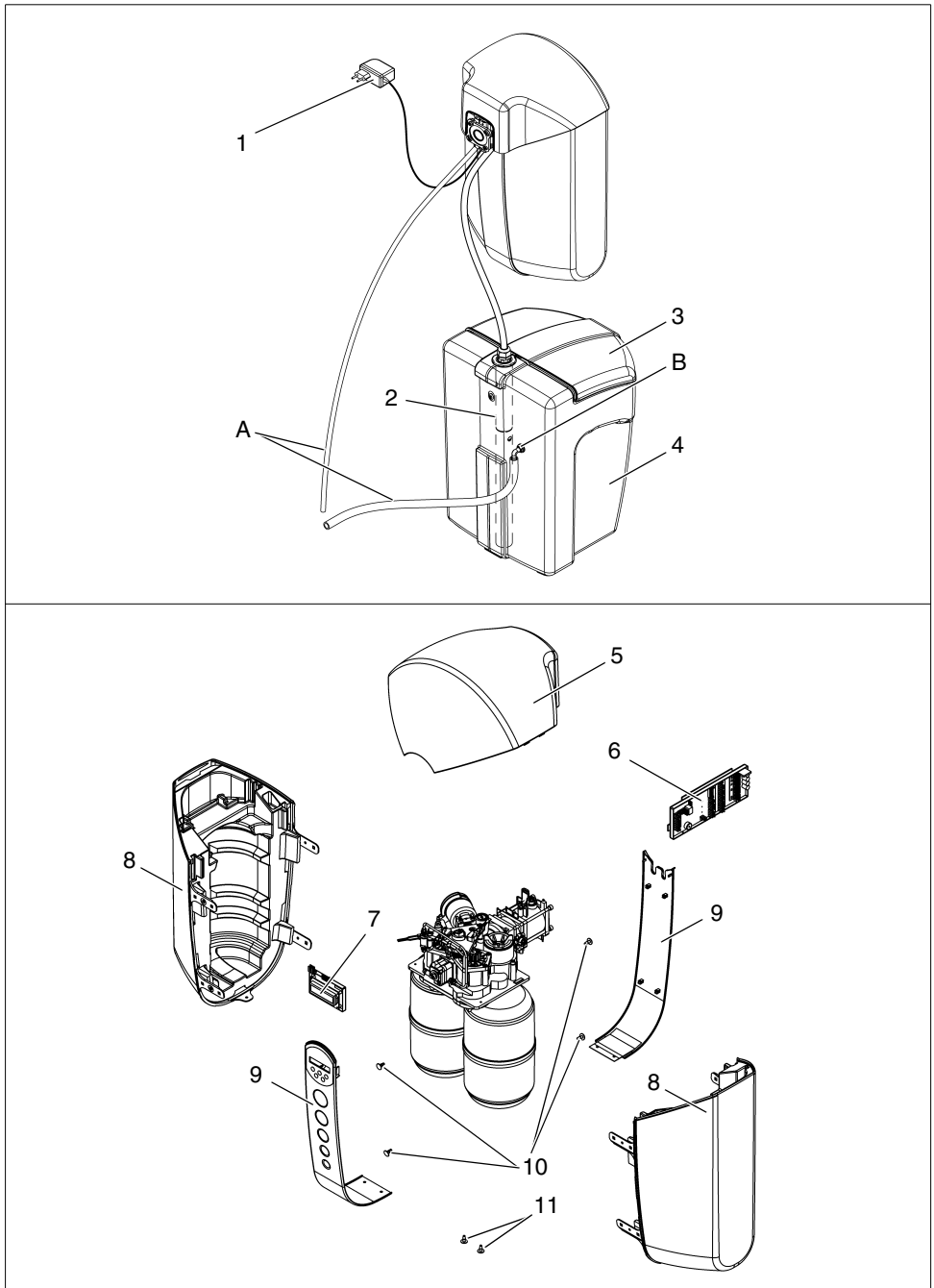


Fig. 8: Spare parts JUDO QUICKSOFT MEGA

Spare parts list QUICKSOFT MEGA

Item	Designation (recommended average replacement interval for wear part [*])	Art. no.	AU ¹⁾	
--	Wear part set intake strainer	**	2201270	14
--	Wear part set pressure regulator	****	2200582	88
--	Spare part set injector		2201470	78
A	Spare part set hoses, complete		2200012	25
B	Spare part set overflow connection		2202230	38
1	Power supply unit EU 24 V DC		2210506	65
2	Lance		2201855	135
3	Cover salt reservoir		2201480	35
4	Salt reservoir		2201841	193
5	Cover		2202243	AU ²⁾
6	Electronic control unit		2201903	236
7	I/O module 2×16 RGB LCD		2201847	149
8	Cover panel (including 4 snap rivets item 10)		2201859	197
9	Middle faceplate (including 2 screw rivets item 11 and membrane keyboard)		2201861	174
10	Snap rivet (set with 6 pieces)		2210546	7
11	Screw rivet (set with 2 pieces)		2202045	9

1) AU = Accounting unit

2) Accounting unit not specified at the time of going to press.

Replacement interval: ** = 2 years, **** = 4 years

11 Disposal

Packaging waste is to be sent to the local recycling system.

To protect environment, old appliances and used batteries must not be disposed of with household waste. Instead, use the local collection and return points, which are committed to free and environmentally sound disposal.



12 Customer service



JUDO Wasseraufbereitung GmbH

Postfach 380 • D-71351 Winnenden
Tel. +49 (0)7195 / 692-0
e-mail: info@judo.eu • judo.eu



JUDO Wasseraufbereitung GmbH • Niederlassung Österreich

Josef-Sandhofer-Straße 15 • A-2000 Stockerau
Tel. +43 (0)22 66 / 6 40 78 • Fax +43 (0)22 66 / 6 40 79
e-mail: info@judo-online.at • judo-online.at



JUDO Wasseraufbereitung AG

Industriestrasse 15 • CH-4410 Liestal
Tel. +41 (0)61 906 40 50 • Fax +41 (0)61 906 40 59
e-mail: info@judo-online.ch • judo-online.ch



JUDO Wasseraufbereitung GmbH • Filiaal - Filiale BeNeLux

Laarbeeklaan - Av. du Laerbeek, 72 A1 • B-1090 Brussel - Bruxelles
Tel./Tél. +32 (0)24 60 12 88 • Fax +32 (0)24 61 18 85
e-mail: info.benelux@judo.eu • judo.eu



JUDO France S.à.r.L

76 Rue de la Plaine des Bouchers (Technosud) • F-67100 Strasbourg
Tel. +33 (0)3 88 65 93 94 • Fax +33 (0)3 88 65 98 49
e-mail : info@judo.fr • judo.fr

Installed using:

<p>JUDO ECO-SAFE The leakage protection to be combined with the backwash protective filters of the filter range EC.</p>	<p>JUDO JULIA Metering pump for JUL mineral solution against corrosion (brown water) and lime deposits.</p>	<p>JUDO HEIFI-TOP Backwash protective filter to be used in the heating-circuit in a one-family or multi-family dwelling. Removes sludge and enclosed gases.</p>
<p>JUDO SPEEDYMAT-LongLife Automatic backwash protective filter in the long-life class with patented ceramic flushing valve backwashing technique.</p>	<p>JUDO JUKOMAT-LongLife Automatic domestic water station in the long-life class with patented ceramic flushing valve backwashing technique.</p>	

Sämtliche Bild-, Maß- und Ausführungsangaben entsprechen dem Tag der Drucklegung. Änderungen, die dem technischen Fortschritt und der Weiterentwicklung dienen, behalten wir uns vor. Modell- und Produktansprüche können nicht geltend gemacht werden.

1703519 • 2022/10