

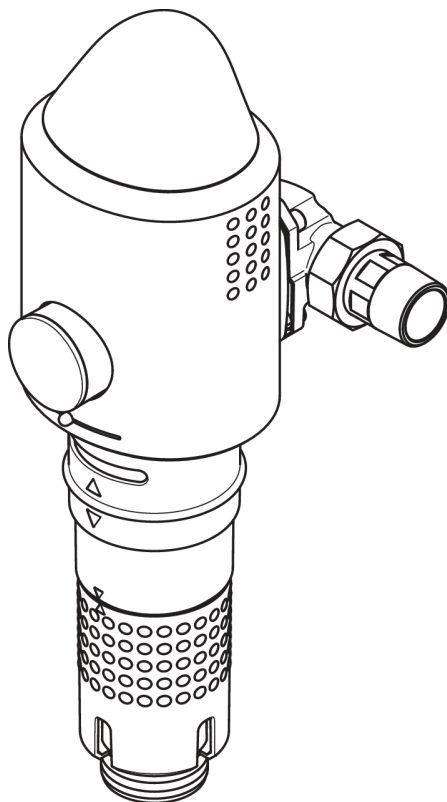
Installation and operating instructions

JUDO Bioquell®-FILT BP

Domestic water station $\frac{3}{4}$ " - 1"

Valid for: Asia

Language: English



Read before use and store!

CE

JUDO®

Queries, orders, customer service

JUDO Wasseraufbereitung GmbH
Postfach 380
D-71351 Winnenden

Email: info@judo.eu • judo.eu

Office address:

JUDO Wasseraufbereitung GmbH
Hohreuschstraße 39 - 41
D-71364 Winnenden

Dear customers,

Thank you for the confidence you have shown in us by purchasing this product. You have purchased a state-of-the-art device. It has been carefully checked prior to delivery. Nevertheless, if difficulties occur, please contact the closest customer service (see chapter Customer service).

Trademarks:

Trademarks used in this document are the protected and registered trademarks of the owners.

© JUDO Wasseraufbereitung GmbH
D-71364 Winnenden

All rights reserved.

Reprinting, even in excerpt form, is only permitted with special approval.

These installation and operating instructions are intended for both installers, who are in charge of installing, maintaining or repairing the device, and for the operators of the device.

Contents	10	Customer service.....	24
1 Safety.....	4		
1.1 Intended use.....	4		
1.2 Application limits.....	4		
1.3 Safety instructions.....	4		
1.4 Symbols used.....	6		
1.5 Units used.....	6		
1.6 Normative foundations.....	6		
2 Product information.....	6		
2.1 Scope of supply.....	6		
2.2 Function description.....	7		
2.3 Materials used.....	7		
3 Installation.....	8		
3.1 Conditions.....	8		
3.2 Installation of the rotary flange fitting.....	8		
3.3 Installation of the device.....	8		
3.4 Draining of the backwash water..	10		
3.5 Commissioning.....	12		
4 Operation.....	12		
4.1 Setting the downstream pressure.....	12		
4.2 Cleaning of the sieve insert (backwashing).....	12		
4.3 Conversions, changes.....	13		
4.4 Maintenance, repair, spare parts	13		
4.5 Temporary removal of the device.....	14		
5 Fault.....	15		
6 Servicing.....	16		
6.1 Cleaning.....	16		
6.2 Warranty and maintenance.....	16		
7 Technical data.....	17		
7.1 Installation dimensions.....	18		
7.2 Accessories.....	18		
7.3 Spare parts.....	19		
8 Disposal.....	21		
9 Maintenance log.....	22		

1 Safety

These operating instructions must always be available at the place of use of the device.

1.1 Intended use

The device is for the


- Filtration
- Pressure reduction

of drinking water in domestic water piping and for commercial and industrial use. It removes coarse and fine-grained particles from the drinking water, which are larger or equal to the mesh size of the filter, in order to prevent

- pipe damage caused by corrosion
- malfunctions of fittings or control and regulating devices caused by foreign bodies.

The built-in pressure reducer allows the water pressure to be regulated to a lower value, which protects the downstream installations and contributes to lower water consumption.

The device can be installed in all commercially available drinking water pipes. Both installation and use of the device are subject to the applicable national regulations.

 Particles that are smaller than the mesh size of the filter supplied and materials causing cloudiness cannot be filtered out of the water.

1.2 Application limits

1.2.1 Water quality

The water to be filtered must be of drinking water quality. Before using the device with water of a different quality, it is essential to consult the manufacturer.

1.2.2 Water pressure



CAUTION

The water pressure must not exceed 16 bar input pressure. The device must not be installed if the mains pressure is above 16 bar (even for a short time)!

Nominal pressure	PN 16
Operating pressure	1.5 bar - 16 bar
Downstream pressure	1.5 bar - 6 bar Factory setting: 4 bar

The water pressure must not fall below 1.5 bar as otherwise backwashing can be impaired!



Starting at an operating pressure of 10 bar, increased wear can be expected!

1.2.3 Water and ambient temperature

The filter is suitable for use in cold drinking water up to a maximum water and ambient temperature of 30 °C.

1.3 Safety instructions

1.3.1 Electrical danger



Risk of electric shock

No electrical wiring or equipment that is not splash-proof may run or be stored below the device. Electrical devices/ equipment located in the vicinity of the device must be splash-proof or comply with the legal regulations for wet rooms.

1.3.2 Warning of property damage



WARNING

Risk of water damage or damage to property

The device may only be installed by qualified technical personnel.

The installation room must be dry and free from frost.

The ambient temperature must not exceed 30 °C! In higher temperatures or direct sunlight, material damage may occur up to and including breakage of device parts.

An adequately sized wastewater connection (e.g. floor drain) in compliance with DIN 1986 must be provided.

In order to ensure safe drinking water hygiene, a free discharge of the wastewater acc. to DIN EN 1717 must be ensured.

The pipe must be able to safely support the device (weight: see chapter 7). If necessary, the pipes must be provided with additional fastenings or support.

If no bypass valve is installed, a shut-off valve must be installed upstream and downstream of the unit in order to interrupt the water supply during installation, maintenance, repair or malfunction of the device.

Install the device in a vertical position ($\pm 5^\circ$); the connection for waste water from backwashing must be directed downwards. Otherwise, water may escape and cause water damage.

For the installation of the device in domestic water piping, only use the supplied rotary flange fitting (see chapter 3.2).

The flange surface of the rotary flange fitting must be upright!

The rotary flange fitting must be fitted so that it is free from mechanical stress or strain. Otherwise mechanical damage to the pipe or the rotary flange fitting up to and including breaks can result.

For proper sealing the profile of the profile flange seal must point towards the rotary flange fitting (see Figure 2: Rotary flange fitting, page 8).

Only operate the device in a technically faultless condition:

- Check for damage prior to installation.
- Immediately have any malfunctions in operation rectified by qualified technical personnel.

Persons who, due to their physical, sensory or mental abilities or their inexperience or lack of knowledge, are unable to operate the device safely may not operate it without supervision or instruction from a responsible person.

Regular backwashing of the device is required to ensure safe drinking water hygiene (see chapter 4.2.1).

Before carrying out a backwash, ensure that the wastewater connection is functional.

At the end of the backwashing process, turn the handwheel until it engages so that no more backwash water escapes. Otherwise, water may constantly escape and cause water damage.

Do not use household cleaning agents to clean the outside of the device, but only use clear water to avoid embrittlement of the plastic.

The device may only be repaired by qualified technical personnel.

Only use original spare parts for repairs.

Before performing work on the device that goes beyond pure operational use, the device must be depressurised! If this is ignored, the result may be uncon-

controlled escape of water resulting in water damage to the building/home.





If the device is removed due to an interruption of operation:

- Protect the flange surfaces against damage to ensure proper sealing.
- Protect the device from dirt so as not to impair drinking water hygiene.
- Store the device in a frost-free place to prevent damage caused by freezing water and leakage.

Unauthorised conversions and changes are forbidden for safety reasons. These can impair the functioning of the device, leading to leaks and, in the worse case scenario, to bursting of the device.

1.4 Symbols used

The safety instructions contained in these operating instructions are labelled with the following symbols:

	Indication of existing dangers
	Warning of electric voltage
	Torques specified by the manufacturer
	User tips and other information

Instructions attached directly to the device, e.g.:

- Direction of flow (arrow)
- Type label
- Cleaning information

must be observed and maintained in legible condition.

1.5 Units used

Unit	Conversion
bar	1 bar = 10^5 Pa = 0.1 N/mm ²
1"	DN 25

1.6 Normative foundations

This appliance has been designed and manufactured in accordance with

- DIN EN 13443-1 (Systems for the treatment of drinking water within buildings - Mechanical filters - Part 1: Filter fineness 80 µm to 150 µm - Requirements for design, safety and testing; German version)
- DIN EN 1567 (Building valves and fittings - Pressure reducing valves and pressure reducing valve combinations for water - Requirements and test methods)
- DIN 19628 (Mechanical filters in drinking water stations - Application of mechanical filters according to DIN EN 13443-1).

It complies with the technical rules for drinking water installations according to

- DIN EN 806-2 ff. (Technical rules for drinking water installations) and the national supplement
- the national supplement DIN 1988
- DIN EN 1717 (Protection of drinking water against contamination in drinking water installations and general requirements for safety devices to prevent drinking water contamination through backflow).

2 Product information

2.1 Scope of supply

- Domestic water station, pre-assembled
- Built-in rotary flange

- Installation and operating instructions

2.2 Function description

Unfiltered water flows into the device through the rotary flange. The water flows from the outside to the inside through a cylindrical sieve insert. Dirt particles remain on the sieve fabric of the sieve insert. The adhering residues are visible from outside through the transparent filter bowl.

The filtered water continues to flow into the pressure reducer, which regulates the incoming water pressure to the set downstream pressure. The set downstream pressure can be read at the downstream pressure gauge.

Subsequently the filtered water exits the device again via the rotary flange fitting.

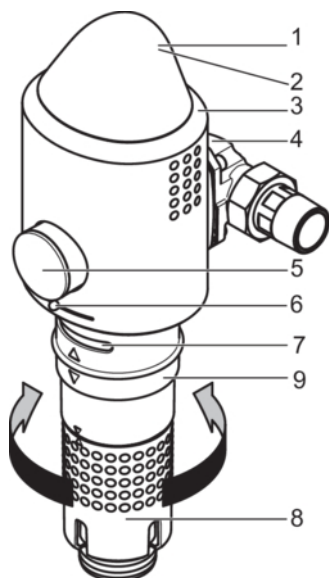


Fig. 1: Functional description

- 1 Cover pressure reducer
- 2 Handwheel of the pressure reducer (under cover)
- 3 Pressure reducer (under cover)
- 4 Rotary flange fitting
- 5 Downstream pressure gauge
- 6 Display button for the next scheduled backwash
- 7 Filter bowl
- 8 Handwheel for backwashing
- 9 UV protection screen

2.3 Materials used

The materials used are resistant to the physical, chemical and corrosive loads expected to be encountered in drinking

water. They meet the requirements specified in the following standards:

- DIN EN 13443-1
- DIN 19628
- DIN EN 1567

All materials of components in contact with drinking water are hygienically and physiologically harmless and fulfill the requirements and directives of the Umweltbundesamt (UBA). Plastics fulfil the requirements of DIN EN 16421.

3 Installation



CAUTION

The device may only be installed by qualified technical personnel.

Installation of the device upstream of the domestic water meter is forbidden.

3.1 Conditions



CAUTION

Risk of property damage or water damage!

The pipe must be able to safely support the device (weight: see chapter 7). If necessary, the pipes must be provided with additional fastenings or support.

To ensure convenient operation and maintenance of the device, always adhere to the specified clearances in chapter 3.4.1.

3.1.1 Requirements for the place of installation



CAUTION

The installation room must be dry and free from frost.

The ambient temperature must not exceed 30 °C! In higher temperatures or direct sunlight, material damage may occur up to and including breakage of device parts.

An adequately sized waste water connection (e.g. floor drain) in

compliance with DIN 1986 must be provided.

3.2 Installation of the rotary flange fitting



CAUTION

The flange surface of the rotary flange fitting must be upright!

The rotary flange fitting must be fitted so that it is free from mechanical stress or strain. Otherwise mechanical damage to the pipe or the rotary flange fitting up to and including breaks can result.

The built-in rotary flange serves as a connecting element between the domestic water installation and the device. It is suitable both for horizontal and vertical pipes.

Attention: Install the built-in rotary flange in the flow direction! This is indicated by an arrow integral with the casting.

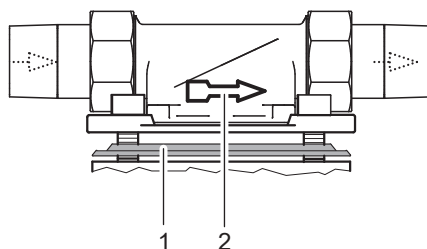


Fig. 2: Rotary flange fitting

- 1 Profile flange seal
- 2 Flow direction arrow

3.3 Installation of the device



CAUTION

If no bypass valve is installed, a shut-off valve must be installed upstream and downstream of the unit in order to interrupt the water supply during installation, mainte-

nance, repair or malfunction of the device.

Install the device in a vertical position ($\pm 5^\circ$); the connection for waste water from backwashing must be directed downwards. Otherwise, water may escape and cause water damage.

For the installation of the device in domestic water piping, only use the supplied rotary flange fitting (see chapter 3.2).

The flange surface of the rotary flange fitting must be upright!

For proper sealing the profile of the profile flange seal must point towards the rotary flange fitting (see Figure 2: Rotary flange fitting, page 8).

Do not undo the screws of the device!

1. Insert the heads of the four flange screws through the bayonet holes on the rotary flange fitting (see Figure 3).
2. Turn the appliance in clockwise direction up to the stop (see Figure 3 und Figure 4).
3. Tighten the four flange screws.

Nm Select the tightening torque (approx. 4 Nm) so that the seal is effective and the device is not damaged or strained.

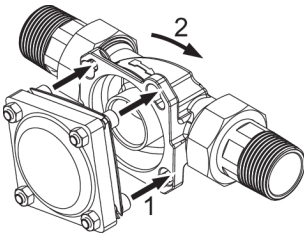


Fig. 3: Placing and engaging the device
(fastening principle)

- 1 Feed screws through
- 2 Turn clockwise to engage

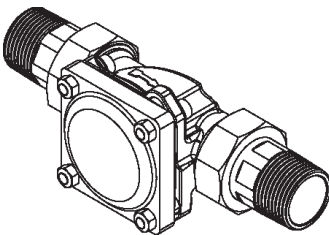


Fig. 4: Device connection engaged
(fastening principle)

3.4 Draining of the backwash water



CAUTION

An adequately sized waste water connection (e.g. floor drain) in compliance with DIN 1986 must be provided.

In order to ensure safe drinking water hygiene, a free discharge of the waste water acc. to DIN EN 1717 must be ensured.

The drain must be large enough so that all of the wastewater can be drained simultaneously.

If a wastewater connection directly beneath the device is not possible, the backwash water can be drained away via a hose or a pipe that is connected from the backwashing water valve over a few meters to the closest wastewater connection. The dimensioning of this pipe must correspond to the backwashing water valve.

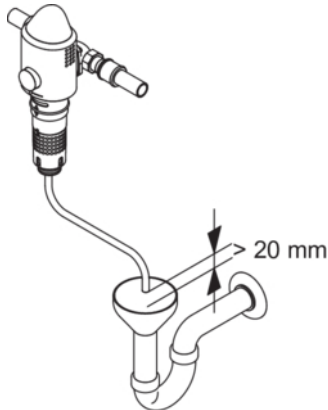
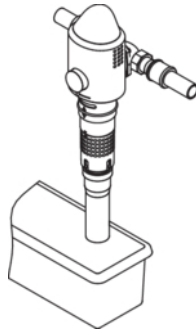
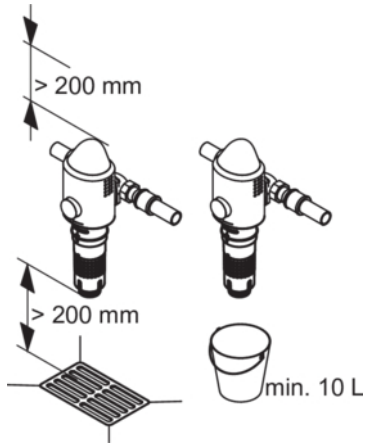
Attention:

- The hose must run without kinks. The hose or pipe must be laid with a continuous downward slope to the wastewater connection.
- If a continuous slope to the wastewater connection cannot be realized at the installation site, a lifting unit must be installed to convey the backwash water.

If a bucket is used to drain off the backwash water:

- **Attention:** If the mains pressure is high, water may spray out of the bucket. Protect objects near the bucket from water damage!
- Carry out the backwashing quickly and finish the backwashing process as soon as the bucket is half full. Otherwise the bucket could overflow.

3.4.1 Drainage options for the backwash water



3.5 Commissioning

Prior to initial commissioning (or to commissioning after maintenance work) fill the installed device with water and vent:

1. Open the upstream shut-off valve to fill the device with water. The device is now under mains pressure.
2. **Attention:** Carry out a backwashing immediately so that the trapped air can escape (see chapter 4.2.3)! This prevents damage to the installation by water hammer pressure surges.

→ After backwashing, the device is vented and ready for operation.

4 Operation

4.1 Setting the downstream pressure

To compensate for pressure fluctuations and to protect the downstream installation, the downstream pressure can be regulated via the pressure reducer. The factory preset downstream pressure of 4 bar can be changed to a value between 1.5 bar and 6 bar depending on the upstream pressure:

1. Slightly loosen the screw on the handwheel of the pressure reducer.
2. Turn the handwheel clockwise (= pressure increase), or turn counter-clockwise (= pressure reduction).
3. Open a drawing point behind the device for a short time. This results in a pressure relief and the set downstream pressure can be read off from the downstream pressure gauge.
4. When the desired downstream pressure has been reached, retighten the screw on the pressure reducer handwheel to prevent automatic adjustment of the downstream pressure.

4.2 Cleaning of the sieve insert (backwashing)

A regular cleaning process is necessary to remove the residues from the sieve fabric of the device. This process is called **backwashing**.

Suction pipes are provided for backwashing, which rotate around the sieve fabric of the fine filter. The backwashing valve opens on the bottom side of the device. By reversing the water flow from inside to outside, deposits on the sieve fabric are carried away and rinsed out with the backwash water. The suction pipes also clean the inside of the transparent filter bowl with wiper lips during their movement.

The degree of contamination and cleaning process can be observed from the outside.



The device is backwashed with filtered water. The filtered water supply of the domestic installation remains intact during the backwashing process. No dirty water can reach the pure water side during the backwashing.

4.2.1 Backwashing interval

If cleaning is not performed soon enough, the result may be damage to the sieve insert. Large quantities of filtered particles can deform the sieve fabric and in extreme case lead to tearing of the sieve fabric. In addition, larger deposit quantities can impair the backwashing function mechanically.

According to DIN EN 13443-1 backwashing the device is required at the latest every six months.

The manufacturer recommends a backwashing:

- at least every 2 months
- if the water pressure drops

- if the filter is visibly dirty

Experience has shown that new installations in the early stages of installation lead to increased dirt deposits. In this case, a more frequent backwashing is necessary.

4.2.2 Due date of backwashing

After backwashing, adjust the indication button on the front of the device to the next backwashing due date, as a reminder.

4.2.3 Backwashing



WARNING

Persons who, due to their physical, sensory or mental abilities or their inexperience or lack of knowledge, are unable to operate the device safely may not operate it without supervision or instruction from a responsible person.

Before carrying out a backwash, ensure that the wastewater connection is functional.

At the end of the backwashing process, turn the handwheel until it engages so that no more backwash water escapes. Otherwise, water may constantly escape and cause water damage.

1. Turn the handwheel in any direction. **Backwashing water escapes.**
 2. After a full turn, make sure that the handwheel clicks into place and the markings of the engaging position are aligned again. Ensure that no water escapes.
- The backwashing process is completed (see chapter 4.2).

4.3 Conversions, changes



WARNING

Unauthorised conversions and changes are forbidden for safety reasons. These can impair the functioning of the device, leading to leaks and, in the worse case scenario, to bursting of the device.

In the event of repairs, printed test marks only remain valid when original spare parts are used.

4.4 Maintenance, repair, spare parts



CAUTION

The device may only be repaired by qualified technical personnel.

Only use original spare parts for repairs.

Before performing work on the device that goes beyond pure operational use, the device must be depressurised! If this is ignored, the result may be uncontrolled egress of water resulting in water damage to the building/home.

4.5 Temporary removal of the device



WARNING

If the device is removed due to an interruption of operation:

- **Protect the flange surfaces against damage to ensure proper sealing.**
- **Protect the device from dirt so as not to impair drinking water hygiene.**
- **Store the device in a frost-free place to prevent damage caused by freezing water and leakage.**

When recommissioning the device, proceed as with a new installation.

5 Fault

Fault	Possible cause	Remedy
Backwash water continues running.	Backwash valve is not fully closed.	Repeat backwashing and then turn the handwheel fully home until it engages.
	Dirt in backwash valve.	
Water flow decreases.	Sieve clogged.	Perform backwashing.
There are leaks in the filter bowl.	Damaged seals.	Inform the installer or the closest customer service point.
Filter bowl becomes clouded.	Filter bowl was exposed to high temperatures or solvents.	<ul style="list-style-type: none"> Inform the installer or the closest customer service point. If water escapes, close shut-off valves. Have the filter bowl replaced immediately.
Hairline cracks on the filter bowl.		
The downstream pressure increases slowly at zero flow.	Inadmissible pressure increase due to process water heating.	Check the safety relief valve of the warm water boiler. Inform the installer or the closest customer service point.
	Wear of the pressure reducer cartridge.	

Table 1: Troubleshooting

6 Servicing

6.1 Cleaning



CAUTION

Do not use household cleaning agents to clean the outside of the device, but only use clear water to avoid embrittlement of the plastic.

6.2 Warranty and maintenance

Prerequisite for obtaining the statutory warranty claim is regular backwashing (see chapter 4.2). The DIN EN 13443-1 prescribes that backwashing must take place every six months. JUDO, however, recommends compliance with the information in chapter 4.2.1 Backwashing interval.

Moreover, the set outlet pressure must be checked yearly on the downstream pressure gauge, in particular, both with zero flow and at peak flow (high water drawing level). If necessary, the outlet pressure setting must be readjusted.

To ensure the process operates successfully as long as possible, regular inspection and routine servicing of the device are essential. Where home automation is concerned, this is governed by DIN EN 806-5.

We recommend the conclusion of a maintenance contract, which is the best way to ensure a good operating function, even beyond the warranty period. The skilled tradesmen or the factory customer service are suitable partners for regular maintenance work and the supply of consumables and wear materials as well as for possible repairs.

7 Technical data

Domestic water station

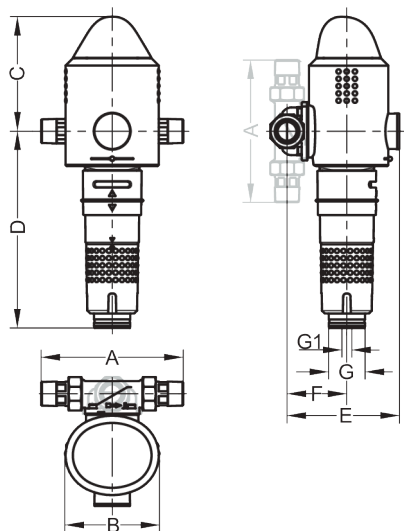
JUDO Bioquell®-FILT BP ¾" - 1"

The water to be filtered must comply with the European Drinking Water Directive.

Information about:	Bioquell®- FILT BP ¾"	Bioquell®- FILT BP 1"
Pipe connection	¾"	1"
Backwashing volume flow ¹⁾	0.3 L/s	0.3 L/s
Nominal pressure	PN 16	PN 16
Operating pressure	1,5 - 16 bar	1,5 - 16 bar
Rated flow acc. to DIN EN 1567	2.3 m³/h	3.6 m³/h
Settable downstream pressure	1.5 bar - 6 bar	1.5 bar - 6 bar
Factory setting of downstream pressure	4 bar 400 kPa	4 bar 400 kPa
Mesh size sieve insert	100 µm 0.1 mm	100 µm 0.1 mm
Water temperature and ambient temperature	max. 30 °C	max. 30 °C
Threaded connection according to	DIN EN 10226-1	DIN EN 10226-1
Weight	2.9 kg	3.1 kg
Order no.	8001042	8170331

1) Applies to a fully opened backwashing valve and 2 - 3 bar mains pressure

7.1 Installation dimensions



7.2 Accessories

- QUICKSET JQR (order no. 8250041) for series connection of two devices, e.g. filter and water treatment system
- Automatic Set JUDO FILT-A (order no. 2170679) for retrofitting the manual unit to an automatic device

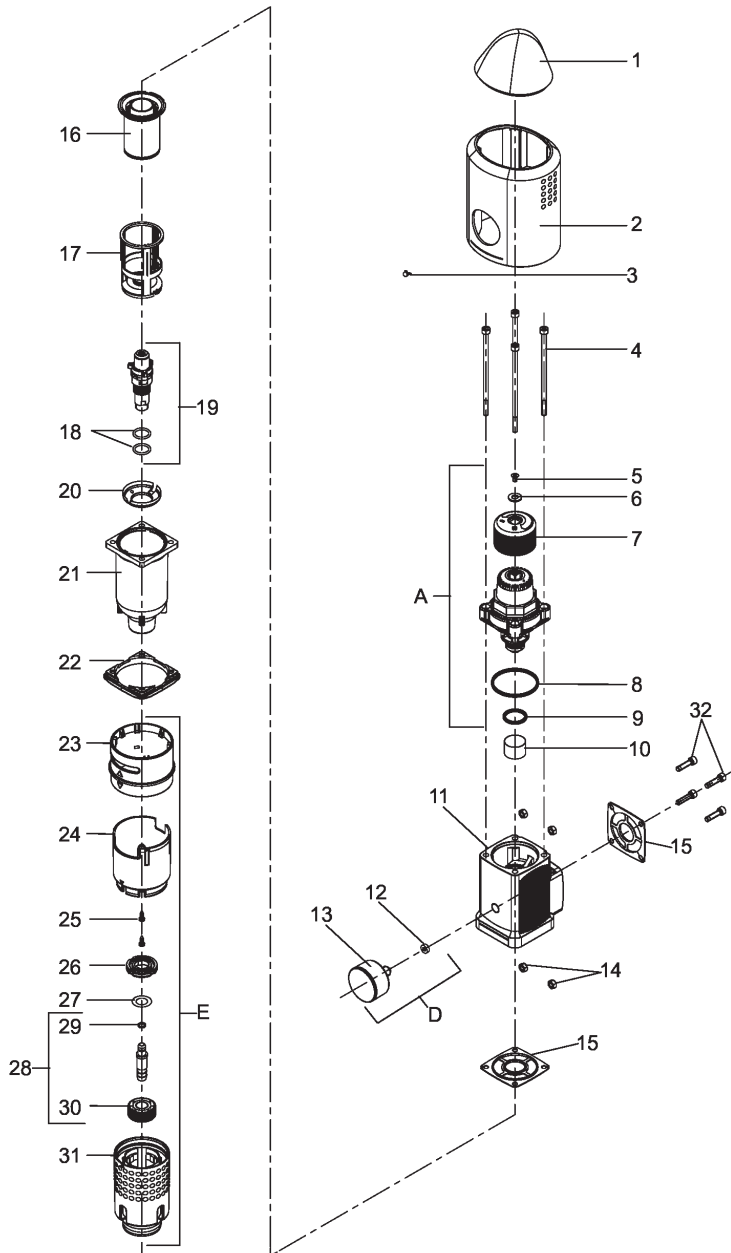
	Bioquell®-FILT BP ¾"	Bioquell®-FILT BP 1"
A	180	195
B	130	130
C	158	158
D	270	270
E	155	155
F	82	82
G	50	50
G1	13	13

Table 2: Dimensions without unit in mm

- A Installation length
- B Device width
- C Height above the pipe middle
- D Height below the pipe middle
- E Installation depth up to the pipe middle
- F Waste water connector mid. to pipe mid.
- G Waste water nominal diameter
- G1 Waste water nominal diameter (alt.)

7.3 Spare parts

Bioquell®-FILT BP ¾" - 1"



Bioquell®-FILT BP ¾" - 1"

Pos.	Designation	Pcs	Order No.	AU ¹⁾ / Pcs
A	Wear part set "Pressure reducer cartridge" **** (comprising items 5, 6, 7, 8, 9)	1	2150026	105
B	Wear part set "Sieve 0.1 mm, suction pipe and seal" *** (comprising items 15, 16, 17)	1	2990412	111
-	Wear part set "Backwashing valve und seals" **** (comprising items 15, 19, 29)	1	2170561	73
D	Spare parts set "Pressure gauge" (comprising items 12, 13)	1	2150021	20
E	"Handwheel backwashing" spare part set (comprising items 23, 24, 25, 26, 27, 28, 31)	1	2170559	121
1	Pressure reducer cover	1		
2	Cover Basic housing Bioquell®-FILT BP	1		
3	Display button	1		
4	Hexagon socket head screw M6×130 (set with 4 pcs)	1	2060462	11
5	Countersunk screw M5x8	1		
6	Washer A 8.4	1		
7	Handwheel of the pressure reducer	1		
8	O-ring 52×3,5	1		
9	O-ring 25×3.5	1		
10	Noise sieve	1		
11	Basic housing	1		
12	Pressure gauge seal	1		
13	Pressure gauge 0 - 10 bar	1		
14	Hexagon nut M6	4		
15	Profile flange seal	2		
16	Sieve insert	1		
17	Suction pipe	1		
18	O-ring 18×2.5	2		
19	Flush valve preassembled	1		
20	Suction pipe bottom	1		

Pos.	Designation	Pcs	Order No.	AU ¹⁾ / Pcs
21	Filter bowl + pos. 15, 20, 22	1	2170439	135
22	Flange	1		
23	OT filter bowl cover	1		
24	UT filter bowl cover printed	1		
25	Fillister head self-tapping screw 3.9×13	2		
26	Spacer disc	1		
27	M16 retainer	1		
28	Hose connection piece + pos. 29 and 30	1	2170182	10
29	O-ring 6.07×1.3	1		
30	Union nut	1		
31	Handwheel for backwashing imprinted	1		
32	Hexagon socket head screw M6×25, coated (set with 4 pcs)	1	2060446	12

1) AU = Accounting unit (articles without a accounting unit are only available as part of a set)

Replacement interval: *** = 3 years **** = 4 years

8 Disposal

Packaging waste is to be sent to the local recycling system.

To protect environment, old appliances must not be disposed of with household waste. Instead, use the local collection and return points, which are committed to free and environmentally sound disposal.

9 Maintenance log

Product designation:

Domestic water station

Order number:

Serial number:

Date	Work activities performed	Company / signature

10 Customer service

DE	JUDO Wasseraufbereitung GmbH Postfach 380 • D-71351 Winnenden Phone +49 (0)7195 / 692-0 E-mail: info@judo.eu • judo.eu
AT	JUDO Wasseraufbereitung GmbH • Niederlassung Österreich Josef-Sandhofer-Straße 15 • A-2000 Stockerau Phone +43 (0)22 66 / 6 40 78 • Fax +43 (0)22 66 / 6 40 79 E-mail: info@judo-online.at • judo-online.at
CH	JUDO Wasseraufbereitung AG Industriestrasse 15 • CH-4410 Liestal Phone +41 (0)61 906 40 50 • Fax +41 (0)61 906 40 59 E-mail: info@judo-online.ch • judo-online.ch
BENELUX	JUDO Wasseraufbereitung GmbH • Filiaal - Filiale Benelux Laarbeeklaan - Av. du Laerbeek, 72 A1 • B-1090 Brussel-Bruxelles Phone +32 (0)24 60 12 88 • Fax +32 (0)24 61 18 85 E-mail: info.benelux@judo.eu • judo.eu
FR	JUDO France SARL 76 Rue de la Plaine des Bouchers (Technosud) • F-67100 Strasbourg Phone +33 (0)3 88 65 93 94 • Fax +33 (0)3 88 65 98 49 E-mail: info@judo.fr • judo.fr

Installed by / on:

All pictorial, dimensional and implementation information correspond to the date of going to press. We reserve the right to make changes due to technical progress and continuing development. Model and product claims cannot be lodged.